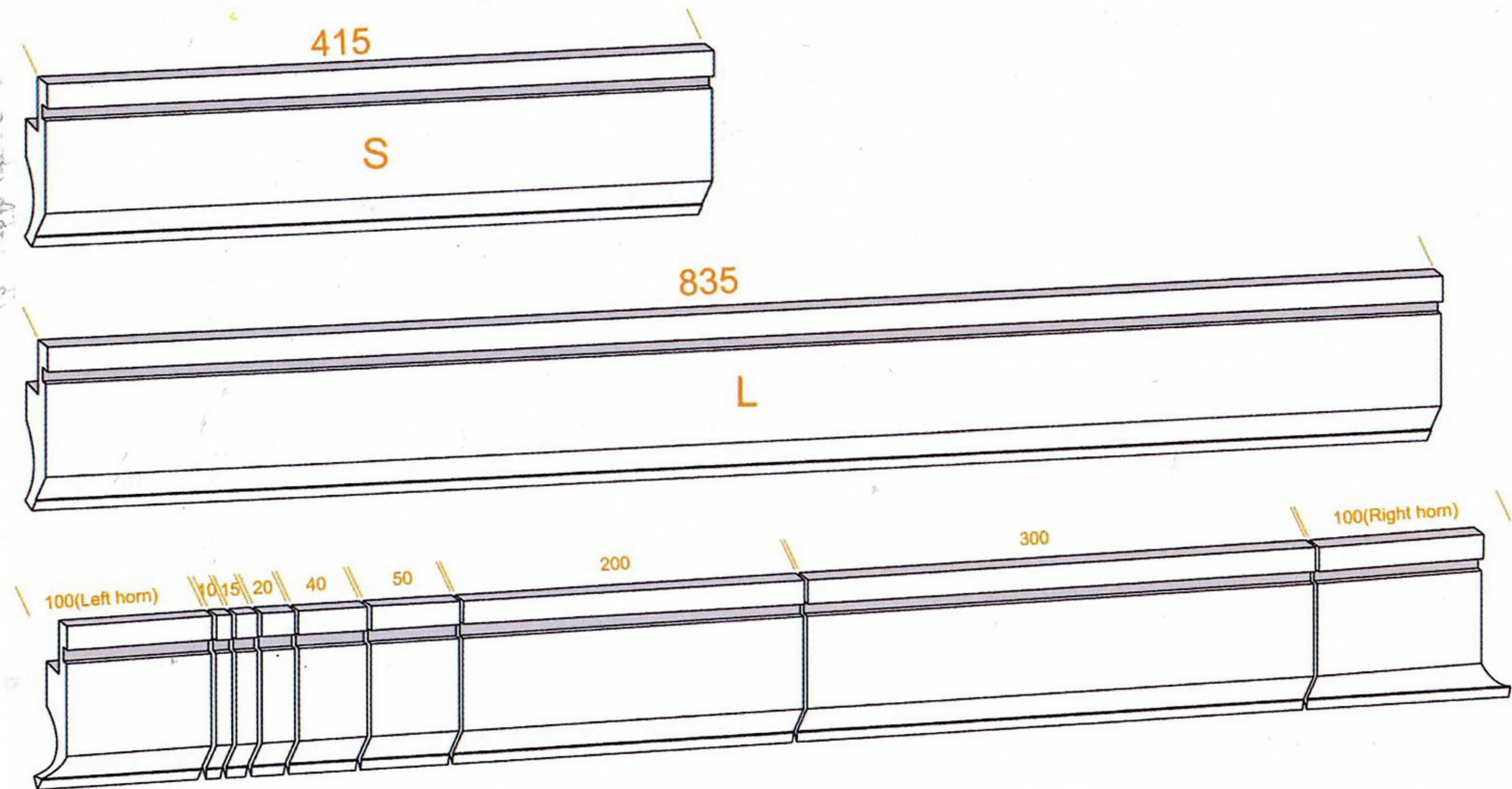
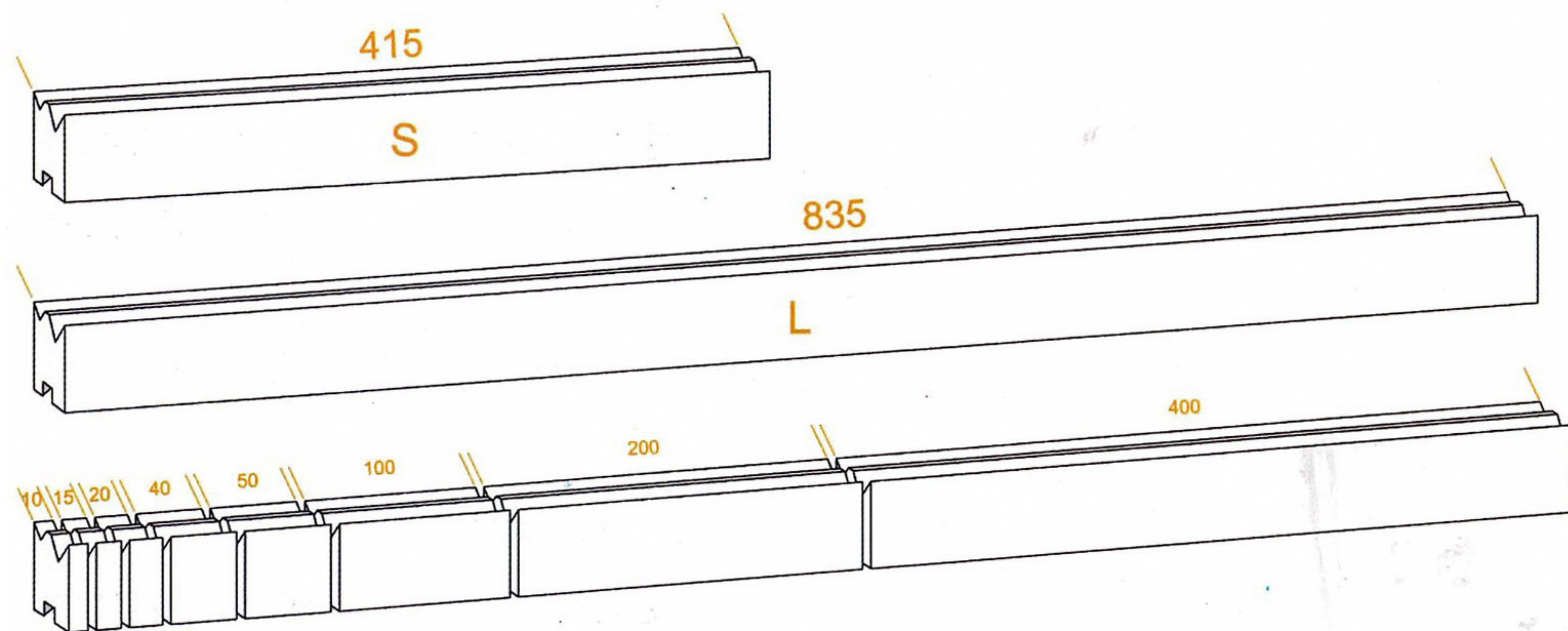


# Tool Length



**Punch: 100(Left horn), 10, 15, 20, 40, 50, 200, 300, 100(Right horn)=835mm**



**Die: 10, 15, 20, 40, 50, 100, 200, 400=835mm**

※Other than above standard length, we manufacture any length upon customer's request.